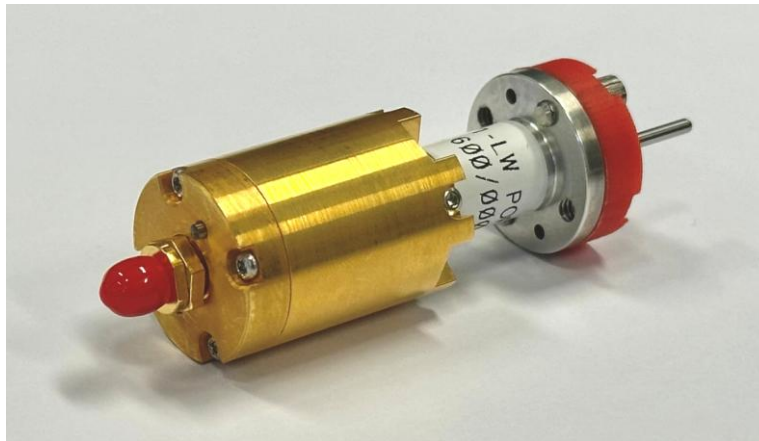


CT110

1 mm Coaxial Connector to Dielectric Rod Waveguide (DRW) Transition

CT110 is the first commercially available adapter from 1mm coax connector to a low loss silicon DRW (Dielectric Rod Waveguide). The frequency range of operation is 70 GHz to 110 GHz. It features the ultra-broadband LeapWave port that covers the spectrum continuously from 50 GHz to 500 GHz. The adapter is meant to provide connection between LeapWave ports and standard coax connectors. It is an end-launch adapter and comes in standard LeapWave form factor.

This adapter is ideal for connectivity in instrumentation applications with the devices featuring the ultra-broadband LeapWave port.



KEY SPECIFICATIONS

- Average insertion loss of < 1.5 dB
- Stable phase response
- Flange standard UG387/U compatible
- Instrumentation grade
- DC short circuit

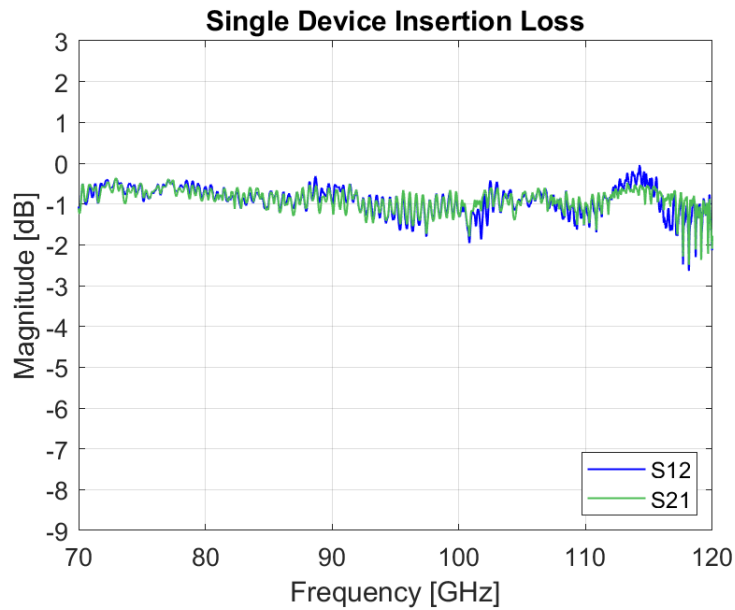
APPLICATIONS

- Instrumentation
- Device testing
- mmWave systems



PERFORMANCE DATA

Insertion Loss



Performance is measured by connecting two CT110 adapters in back-to-back configuration by mating the LeapWave ports. The insertion loss is divided by two. The equipment used is a broadband vector network analyser with 1mm (male) connectors.

ELECTRICAL SPECIFICATIONS

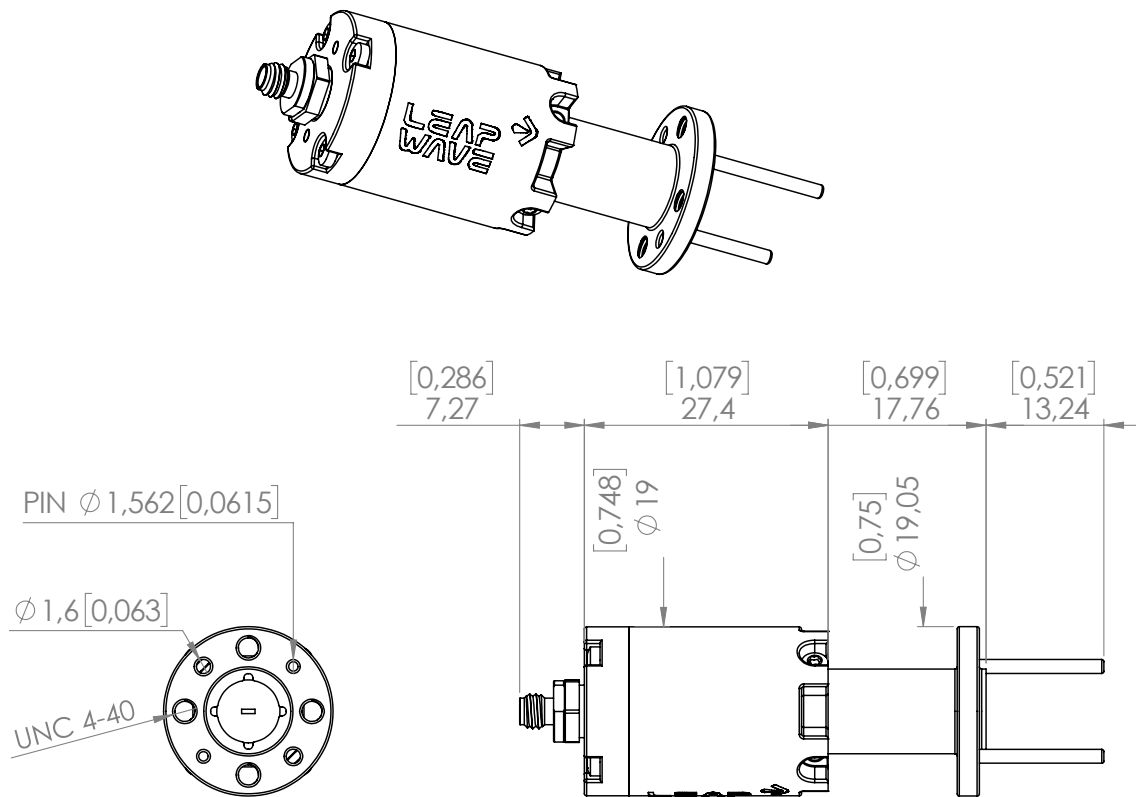
Item	Description
Frequency Range	70 GHz – 110 GHz
Insertion Loss	Typical: 1 dB. Max: 1.5 dB.
Return Loss	< -10 dB (typical)
Specifications Temperature	25°C
Operating Temperature	Preliminary: 0°C to 50°C

MECHANICAL SPECIFICATIONS

Item	Description
Waveguide Interface	LeapWave port with UG 387/U flange
Coax Connector	1 mm female
Material	Brass
Surface Finish	Gold
Weight	75 g
Accessories	Protective caps

DRAWINGS

Unless specified, all dimensions are in millimeters [inches].



CAUTION
 Any contact between the LeapWave port interface and a foreign object may lead to either degradation of performance or destruction of the device.

Disclaimer: The product, performance and specifications may be subject to change without notice.

ORDERING INFORMATION

Product Code: CT110

Please contact for pricing. Specifications are subject to change without prior notice.

Version 1.2